

## Features

- Double solenoid gas train for an exceptionally small footprint
- Optional NPT threaded flange adapters allow direct piping that simplifies the installation and maintenance.
- Suitable for boilers, furnaces, ovens, kilns, heating equipment, and gas generators used in commercial and industrial applications.
- Low pressure drop and extremely high flow capacity, ideal in low gas supply pressure applications/locations.

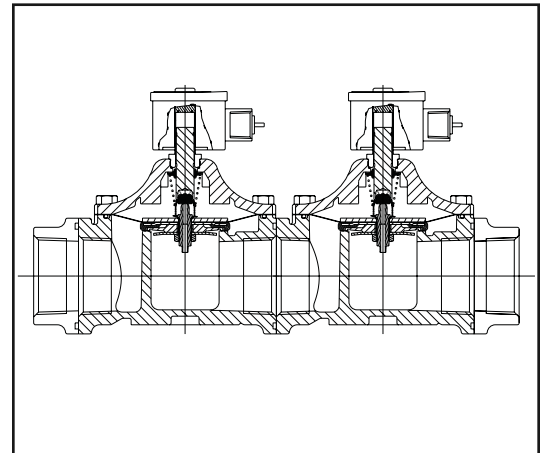
Please reference 8214 Series 200 catalog pages for additional features.

## Adapter & Joining Hardware Kits (Optional)

| Const. Ref. | Pipe Size (ins) | 1                 | 2                  | 3                                    | 4                       | 5          |
|-------------|-----------------|-------------------|--------------------|--------------------------------------|-------------------------|------------|
|             |                 | Inlet Adapter Kit | Outlet Adapter Kit | Inlet/Outlet Flange and Hardware Kit | Connecting Hardware Kit | O-Ring Kit |
| 2           | 1 1/4           | 296657-005        | 296658-005         | 296659-005                           | 294986-002              | 296663-002 |
|             | 1 1/2           | 296657-006        | 296658-006         | 296659-006                           |                         |            |
|             | 2               | 296657-007        | 296658-007         | 296659-007                           |                         |            |

## Content of Hardware Kits/Adapters

| Part Name             | Inlet Adapter Kit | Outlet Adapter Kit | Inlet/Outlet Flange and Hardware Kit | Connecting Hardware Kit | O-Ring Kit |
|-----------------------|-------------------|--------------------|--------------------------------------|-------------------------|------------|
| Inlet Flange Adapter  | 1                 | -                  | 1                                    | -                       | -          |
| Outlet Flange Adapter | -                 | 1                  | 1                                    | -                       | -          |
| Bolt                  | -                 | -                  | 8                                    | 4                       | -          |
| Lock Washer           | -                 | -                  | 8                                    | 4                       | -          |
| Flat Washer           | -                 | -                  | 8                                    | 4                       | -          |
| Nut                   | -                 | -                  | 8                                    | 4                       | -          |
| O-Ring                | 1                 | 1                  | 2                                    | 1                       | 10         |
| I & M Instructions    | 1                 | 1                  | 1                                    | 1                       | 1          |



## Approvals (for 8214 Series 200 only)

UL listed to standard 429 "Electrically Operated Valves," Guide Y10Z, File MP618 Safety Shutoff Valves.

FM Approved to Class 7400 "liquid and gas safety shutoff valves."

CSA Certified to:

- 1) Standard C22.2 No. 139 "Electrically Operated Valves," File 010381.
- 2) Automatic Gas Valves Z21.21 (6.5), C/I, File 112872.
- 3) Automatic Gas Safety Shutoff Valves (3.9), File 112872.

**Specifications (English units)**

| Modular Double Valves |            | Pipe Size (ins.)                                | Orifice Size (ins.) | Cv Flow Factor (Double Valves) | Flow Capacity $\text{ft}^3/\text{hr}$ | Gas Capacity $\text{Btu/hr}$ | Const. Ref. |
|-----------------------|------------|---|---------------------|--------------------------------|---------------------------------------|------------------------------|-------------|
| Valve #1              | Valve #2   | <b>COMBUSTION (Fuels Gas) - NORMALLY CLOSED</b> |                     |                                |                                       |                              |             |
| 8214 (200)            | 8214 (200) | 1 1/4   | 2 3/32              | 25                             | 1069                                  | 1,337,000                    | 2           |
|                       |            | 1 1/2   |                     | 32                             | 1369                                  | 1,711,000                    |             |
|                       |            | 2   |                     | 39                             | 1668                                  | 2,085,000                    |             |

$\text{O}$  1" W.C. Drop @ 2" W.C. Inlet Pressure, 1,000 Btu/cu.ft. or more, 0.64 Specific Gravity Gas.

**Note:** The flow values are calculated for joined double valve construction, please reference to 8214(200) catalog pages for discrete valve flows. Please reference to 8214(200) catalog pages for wide range of optional constructions.

**Specifications (Metric units)**

| Modular Double Valves |            | Pipe Size (ins.)                                | Orifice Size (mm) | Kv Flow Factor (Double Valves) | Flow Capacity $\text{m}^3/\text{hr}$ | Gas Capacity $\text{Btu/hr}$ | Const. Ref. |
|-----------------------|------------|---|-------------------|--------------------------------|--------------------------------------|------------------------------|-------------|
| Valve #1              | Valve #2   | <b>COMBUSTION (Fuels Gas) - NORMALLY CLOSED</b> |                   |                                |                                      |                              |             |
| 8214 (200)            | 8214 (200) | 1 1/4   | 53                | 21                             | 30                                   | 1,337,000                    | 2           |
|                       |            | 1 1/2   |                   | 27                             | 39                                   | 1,711,000                    |             |
|                       |            | 2   |                   | 33                             | 47                                   | 2,085,000                    |             |

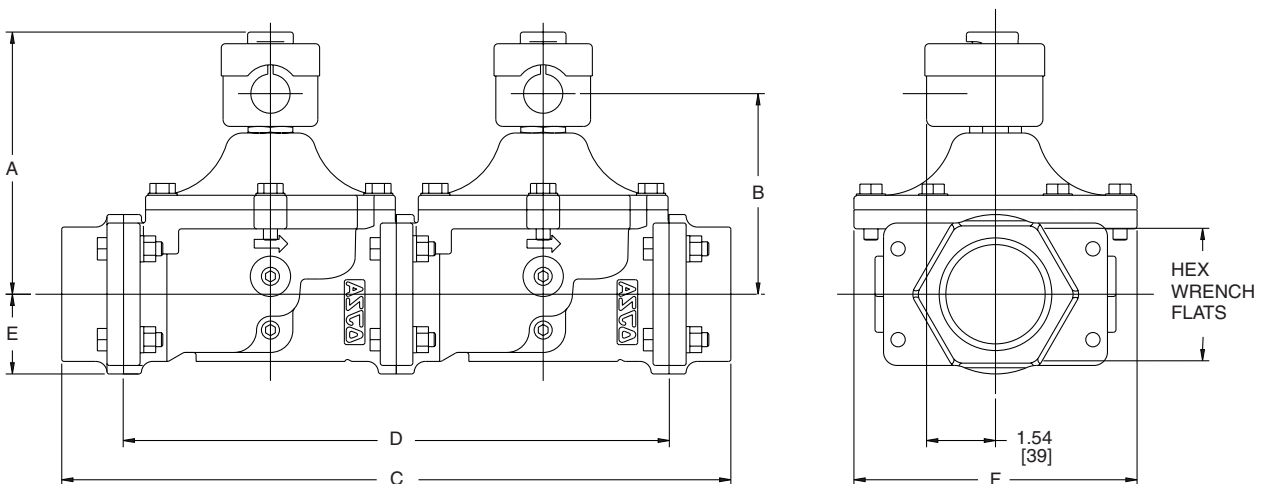
$\text{O}$  1" W.C. Drop @ 2" W.C. Inlet Pressure, 1,000 Btu/cu.ft. or more, 0.64 Specific Gravity Gas.

**Note:** The flow values are calculated for joined double valve construction, please reference to 8214(200) catalog pages for discrete valve flows. Please reference to 8214(200) catalog pages for wide range of optional constructions.

**Dimensions inches (mm)**

| Const. Ref. | Valve Size (ins) |      | A    | B    | C     | D     | E    | F    | G | HEX  |
|-------------|------------------|------|------|------|-------|-------|------|------|---|------|
| 2           | 1 1/4            | ins. | 5.85 | 4.48 | 14.94 | 12.18 | 1.78 | 6.32 | - | 3.00 |
|             |                  | mm   | 149  | 114  | 379   | 309   | 45   | 161  | - | 76   |
|             | 1 1/2            | ins. | 5.85 | 4.48 | 14.94 | 12.18 | 1.78 | 6.32 | - | 3.00 |
|             |                  | mm   | 149  | 114  | 379   | 309   | 45   | 161  | - | 76   |
|             | 2                | ins. | 5.85 | 4.48 | 14.94 | 12.18 | 1.78 | 6.32 | - | 3.00 |
|             |                  | mm   | 149  | 114  | 379   | 309   | 45   | 161  | - | 76   |

**Const. Ref. 2**



## Adapter & Joining Hardware Kits (Optional)

